

Highlights of the 2026 Proposed Capital Project Requests

Westchester County

Budget and Appropriations Committee, Board of Legislators

October 2025



Kenneth W. Jenkins
Westchester County Executive

2026 Capital Projects

Monday, October 20

10:00 am

Information Technology

2026 Requests (Gross Amount)

Information Technology (see page 93 Proposed 2026 Capital Book)

BIT3D Desktop Systems 2025-2029	\$1,840,000
BIT4D Employee Productivity Systems 2023-2027	\$250,000
BIT6E Purchase of Computer Equipment 2026-2030	\$875,000
BIT9B Geographic Information Systems	\$105,000
BIT45 Building Access Control and Video Surveillance Systems Upgrade	\$2,500,000

2026 Requests (Gross Amount)

Information Technology

BIT52 Network and Security Infrastructure Upgrades 2025-2029 (see also BIT58)	\$800,000
BIT54 Critical Communication Logging System Replacement 2021-2025	\$500,000
BIT55 Record Center Expansion, 2199 Saw Mill River Road, Elmsford	\$350,000
BIT56 Business Continuity 2026-2030	\$350,000

2026 Requests (Gross Amount)

Information Technology

BIT58 Critical Communication Logging System Replacement 2026-2030 (see also BIT52)	\$350,000
BIT60 Telecommunications Equipment/Software Replacement and Upgrade	\$200,000
BIT61 County 911 System E-911 to NG-911	\$550,000
BIT64 Locally Hosted Artificial Intelligence (*AI*)	\$1,100,000

Public Works and Transportation

Buildings

2026 Requests (Gross Amount)

Public Works and Transportation - Buildings

B014E Exterior Infrastructure Repairs, White Plains Complex (2021-2025)	\$4,850,000
B014F Exterior Infrastructure Repairs, White Plains Complex (2026-2030)	\$6,125,000
B035F Equipment Acquisition Program (2026-2030)	\$1,200,000
B120A Feasibility Studies (2026-2030) (New)	\$250,000

2026 Requests (Gross Amount)

Public Works and Transportation - Buildings

B0132 Photovoltaic (PV) Systems	\$200,000
B0133 Interior Renovations, Michaelian Office Building, White Plains	\$250,000

Public Works and Transportation

Parking Facilities

2026 Requests (Gross Amount)

Public Works and Transportation – Parking Facilities

BPF39 Electric Vehicle Charging Stations and Infrastructure	\$5,000,000
--	-------------

Public Works and Transportation

Roads and Bridges

2026 Requests (Gross Amount)

Public Works and Transportation – Pavement Quality Index

- The Pavement Condition Index (PCI) is used to identify repair strategies that could be applied to the individual road segments within the County Road network. These ratings are matched with the repair relationships/strategies as outlined below in order to create a prioritized ranking of candidate projects for funding under the Capital Program.

PCI	Treatment Category	Description
0-40	Total Reconstruction/Major Rehabilitation	Subbase repairs, new drainage, resurfacing (6"-10" asphalt)
41-70	Rehabilitation (Structural)	Mill and overlay (two or 3 course overlay)
71-80	Preventative Maintenance	Crack sealing (extensive), major patching, thin overlay, resurfacing
81-90	Routine Maintenance	Crack sealing (minimal), minor patching
91-100	No Action Required	No maintenance required

2026 Requests (Gross Amount)

DPW&T – Bridge Condition Rating System

- The NYSDOT condition rating scale, as defined below, ranges from 1 to 7 with 7 being new condition and a rating of 5 or greater considered good condition

Rating	Description
1	Potentially Hazardous
2	Serious deterioration but not hazardous
3	Serious deterioration or not functioning as originally designed
4	Slight deterioration or minimally functioning as designed
5	Minor deterioration and is functioning as originally designed
6	Very minor deterioration
7	New condition

2026 Requests (Gross Amount)

Public Works and Transportation – Roads and Bridges

RB03L Pondfield Road West over Bronx River,
Bronxville/Yonkers (BIN 3348600)

\$2,600,000



2026 Requests (Gross Amount)

Public Works and Transportation – Roads and Bridges

RB04E Austin Avenue Bridge over I-87, Yonkers
(BIN 3368150)

\$3,836,000



2026 Requests (Gross Amount)

Public Works and Transportation – Roads and Bridges

RB04G Park Avenue Bridge over Beaver Swamp Brook, Harrison (BIN 3348010)

\$7,015,000



2026 Requests (Gross Amount)

Public Works and Transportation – Roads and Bridges

RB04I Murray Avenue Bridge over Community Park, Mamaroneck (BIN 3348250)

\$8,506,000



2026 Requests (Gross Amount)

Public Works and Transportation – Roads and Bridges

RB04K Quaker Ridge Road Bridge over Pine Brook Boulevard and Sheldrake River, New Rochelle (BIN 3348390)	\$1,125,000
---	-------------



2026 Requests (Gross Amount)

Public Works and Transportation – Roads and Bridges

RB04Q Armonk Road Connection, CR 68, over
Broadway, CR 29,29A, North Castle (BIN 3348180)

\$775,000

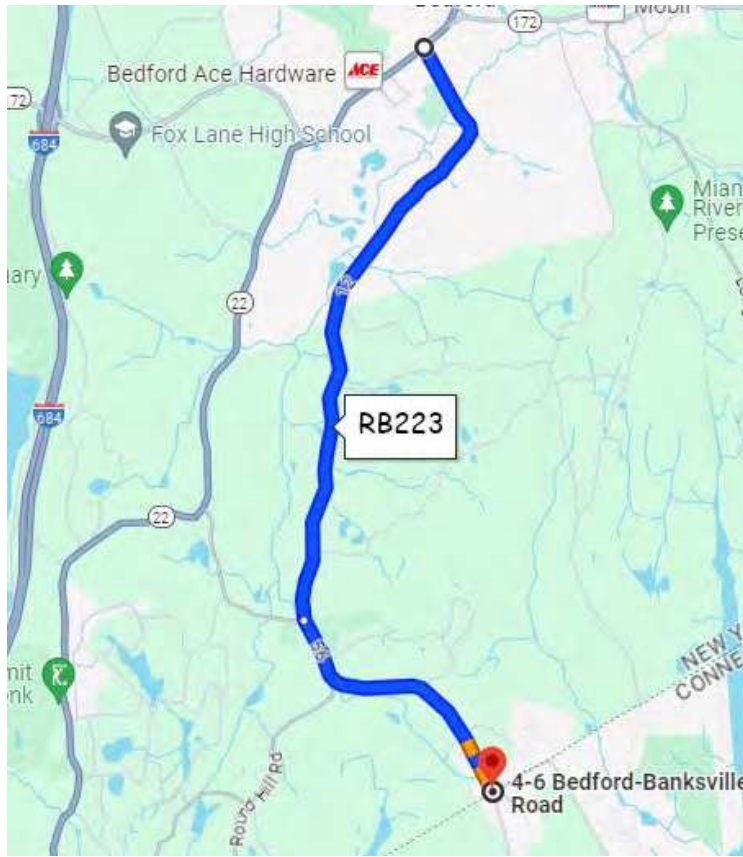


2026 Requests (Gross Amount)

Public Works and Transportation – Roads and Bridges

RB223 Bedford Banksville Road, CR 12/56/56A,
North Castle

\$5,500,000

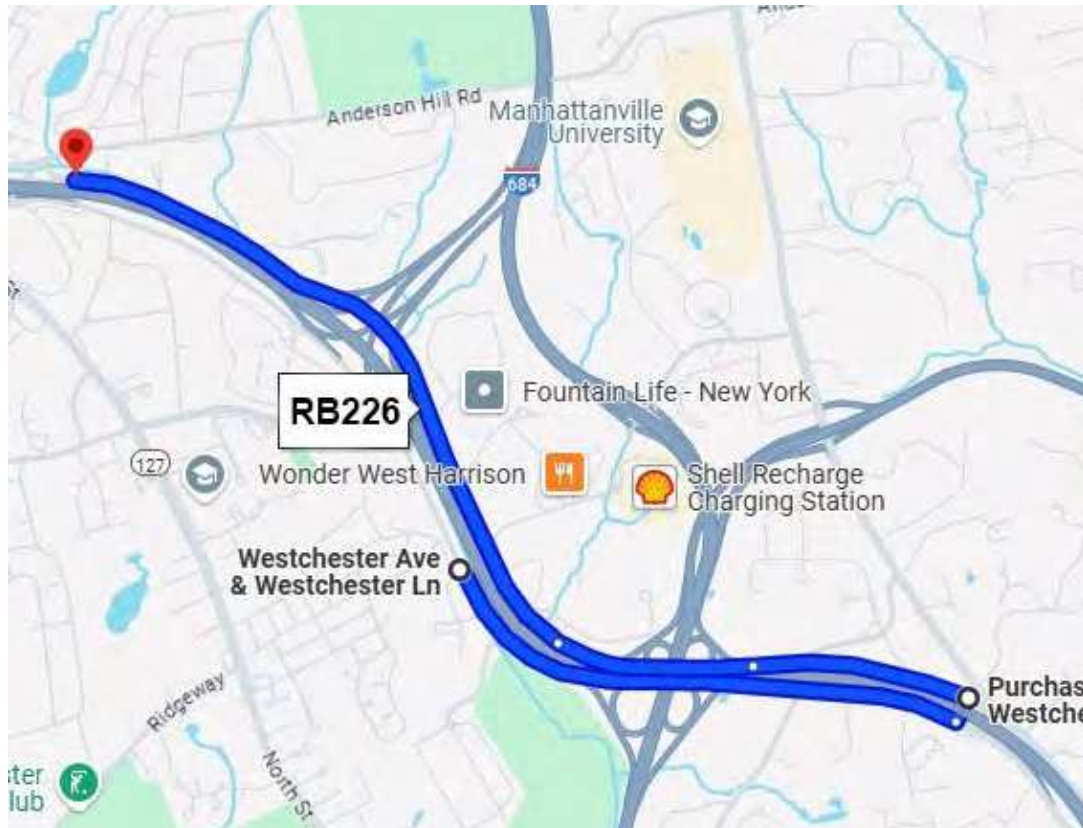


2026 Requests (Gross Amount)

Public Works and Transportation – Roads and Bridges

RB226 Westchester Avenue, CR 62, White Plains/Harrison

\$11,320,000



2026 Requests (Gross Amount)

Public Works and Transportation – Roads and Bridges

RB228 Polly Park Road, CR 104, and Bowman Avenue, CR 104/104 II, Harrison/Rye Brook/ Port Chester

\$4,800,000



2026 Requests (Gross Amount)

Public Works and Transportation – Roads and Bridges

RB229 Hardscrabble Road, CR 138, North Salem

\$4,900,000



2026 Requests (Gross Amount)

Public Works and Transportation – Roads and Bridges

RB250 Various County Roads Rehabilitation Program (2026)	\$11,805,000
---	--------------

Public Works and Transportation

Transportation

2026 Requests (Gross Amount)

Transportation

T009H Paratransit Vehicle Replacement – V

\$2,300,000

T0073 Electric Bus Charging Infrastructure

\$7,200,000

Public Works and Transportation

Airport

2026 Requests (Gross Amount)

Airport

A042C Storm Water Management Program

\$8,000,000



2026 Requests (Gross Amount)

Airport

A0099 Airport Natural Gas Pipeline

\$4,500,000



2026 Requests (Gross Amount)

Airport

A0133 Rehabilitation of Taxiway "L"

\$11,000,000



2026 Requests (Gross Amount)

Airport

A0143 Building 1 Upgrades and Rehabilitation

\$10,000,000



2026 Requests (Gross Amount)

Airport

A0148 Terminal Modernization

\$15,000,000



Tuesday, October 21

10:00 am

Corrections

2026 Requests (Gross Amount)

Corrections

BCR5F Infrastructure Improvements (2026-2030)

\$800,000

BCR65 Jail Special Housing Unit, Heating System
Upgrades

\$375,000

District Attorney

2026 Requests (Gross Amount)

District Attorney

BDA03 Information Technology 2025-2029	\$1,708,000
---	-------------

Emergency Services

2026 Requests (Gross Amount)

Emergency Services

BES30 Multi-Story Annex-Emergency Services	\$4,000,000
---	--------------------

Labs and Research

2026 Requests (Gross Amount)

Labs and Research

BLR2F Labs and Research Equipment Acquisition (2026-2030)	\$550,000
BLR12 Labs & Research Facility Rehabilitation and Upgrade	\$15,000,000

Public Safety

2026 Requests (Gross Amount)

Public Safety

BPS42 Firing Range Rehabilitation	\$875,000
--	-----------

Social Services

2026 Requests (Gross Amount)

Social Services

BSS21 Infrastructure Improvements to Shelter Facilities – Coachman Family Center (2025-2029)

\$25,120,000



Parks, Recreation and Conservation

2026 Requests (Gross Amount)

Parks, Recreation and Conservation

RGP15 General Infrastructure – Fuel Tank Replacement (2024-2028)

\$800,000



2026 Requests (Gross Amount)

Parks, Recreation and Conservation

RGP16 General Infrastructure – Roofing Systems
(2024-2028)

\$500,000

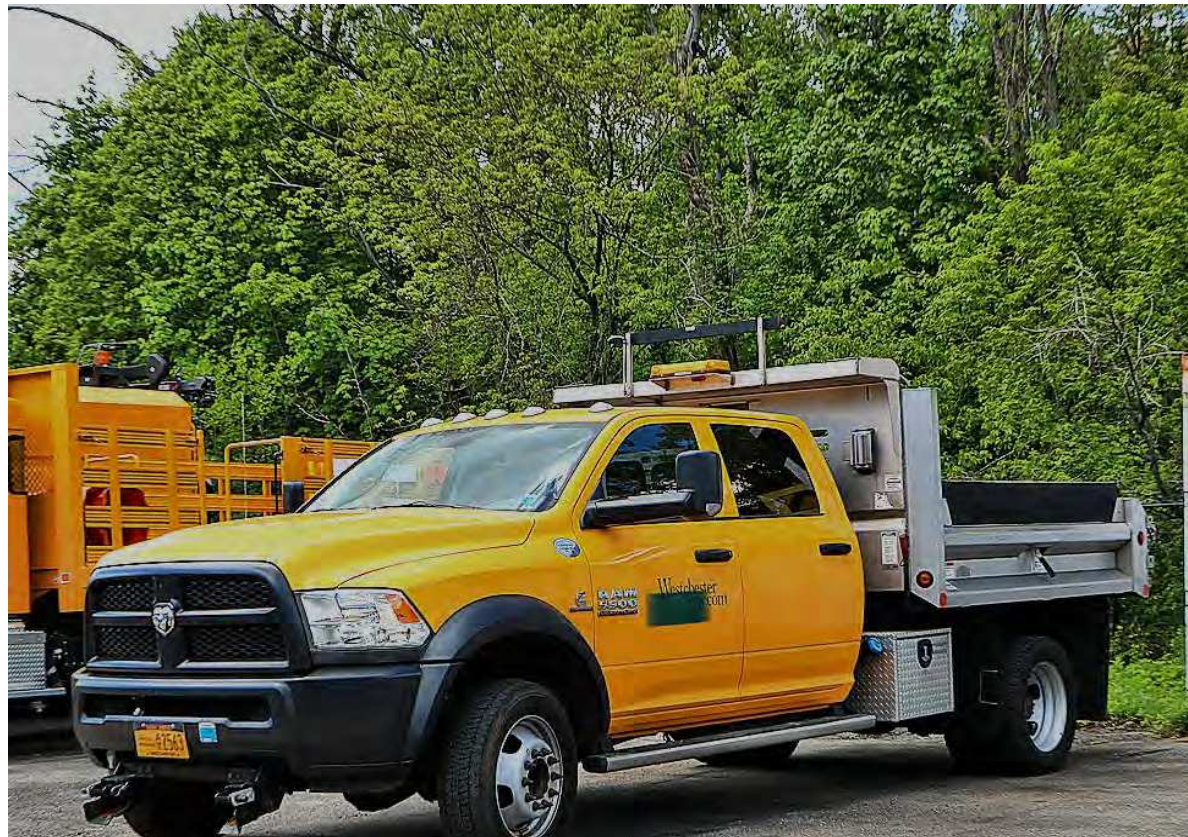


2026 Requests (Gross Amount)

Parks, Recreation and Conservation

RGP20 General Infrastructure – Equipment
Acquisition (2026-2030)

\$2,500,000



2026 Requests (Gross Amount)

Parks, Recreation and Conservation

RGP21 General Infrastructure – Pool Facility/Play Equipment Systems

\$500,000



2026 Requests (Gross Amount)

Parks, Recreation and Conservation

RBR07 Bronx River Pathway Reconstruction

\$1,700,000



2026 Requests (Gross Amount)

Parks, Recreation and Conservation

RCC17 County Center Facility Improvements

\$5,000,000



2026 Requests (Gross Amount)

Parks, Recreation and Conservation

RMS03 Merestead Out Buildings

\$1,732,000



2026 Requests (Gross Amount)

Parks, Recreation and Conservation

RP056 Playland Infrastructure, Rides and Site Work \$3,000,000



Wednesday, October 22

1:00 pm

Planning and Property Acquisition

2026 Requests (Gross Amount)

Planning and Property Acquisition

BPL1B Housing Implementation Fund III (2024-33)	\$25,000,000
--	---------------------



2026 Requests (Gross Amount)

Planning and Property Acquisition

BPL37 New Homes Land Acquisition III (2024-33)

\$25,000,000



2026 Requests (Gross Amount)

Planning and Property Acquisition

BPL40 Stormwater Management – Various County Facilities II

\$2,000,000



2026 Requests (Gross Amount)

Planning and Property Acquisition

BPL47 Flood Mitigation II (2026-2035)

\$9,000,000



2026 Requests (Gross Amount)

Planning and Property Acquisition

BPL48 Affordable Housing Preservation & Rehabilitation Initiative
--

\$10,000,000

2026 Requests (Gross Amount)

Planning and Property Acquisition

BPL49 Westchester Affordable Housing Investment Fund II	\$25,000,000
--	--------------



2026 Requests (Gross Amount)

Planning and Property Acquisition

BPL51 Flood Mitigation: NYS Environmental Bond Act

\$21,000,000



Figure 1: Aerial View of Playland Parkway over Blind Brook

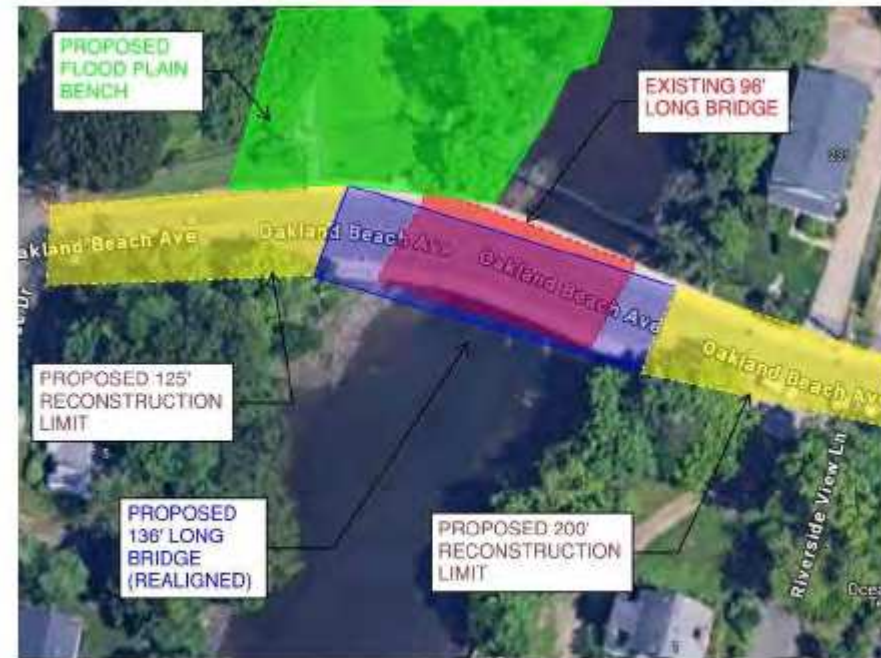


Figure 2: Aerial View of Oakland Beach Avenue over Blind Brook

Environmental Facilities

Refuse Disposal

2026 Requests (Gross Amount)

Refuse Disposal

RD017 Material Recovery Facility and Transfer Station Rehabilitation

\$3,000,000



2026 Requests (Gross Amount)

Refuse Disposal

RD021 Haulage Vehicle and Solid Waste
Equipment Phase VI

\$2,500,000



Environmental Facilities

Sewer Districts

2026 Requests (Gross Amount)

Sewer Districts

SW029 Sewer Maintenance and Rehabilitation
(CMOM) Program

\$1,784,000

SW034 Heavy Equipment and Vehicle
Replacement

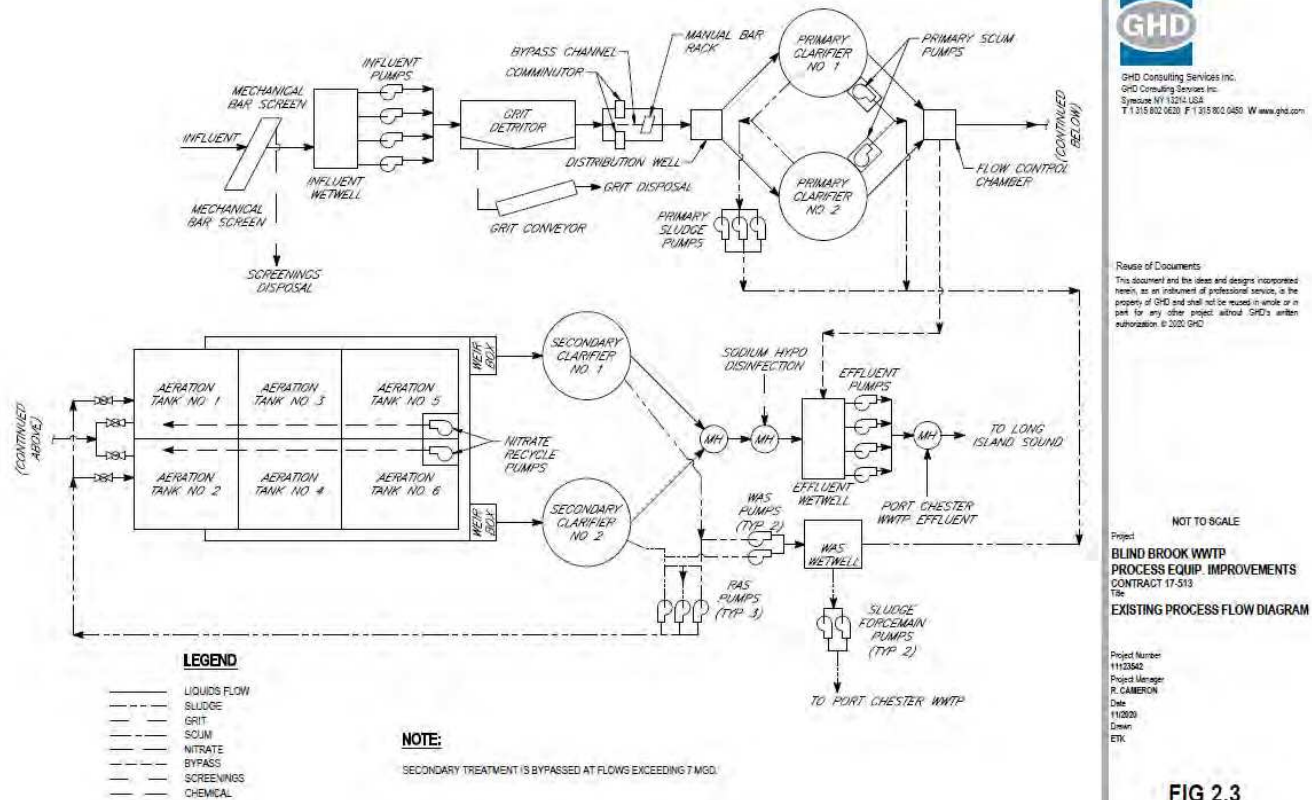
\$800,000

2026 Requests (Gross Amount)

Sewer Districts

SBB07 Blind Brook Waste Water Treatment Plant – Process Equipment Improvements

\$5,000,000



GHD
GHD Consulting Services Inc.
GHD Consulting Services Inc.
Syosset NY 11794 USA
T 1 315 802 0620 F 1 315 802 0450 W www.ghd.com

Reuse of Documents
This document and the ideas and designs incorporated herein, as an instrument of professional service, is the property of GHD and shall not be reused in whole or in part for any other project without GHD's written authorization. © 2020 GHD

NOT TO SCALE

Project
**BLIND BROOK WWT
PROCESS EQUIP. IMPROVEMENTS**
CONTRACT 17-S13
Title
EXISTING PROCESS FLOW DIAGRAM

Project Number
1112542
Project Manager
P. CAMERON
Date
11/20/20
Drawn
ETK

FIG 2.3

Sheet No.

2026 Requests (Gross Amount)

Sewer Districts

SM018 Mamaroneck Water Resource Recovery Facility – Odor Control and HVAC System Rehab.

\$1,500,000



2026 Requests (Gross Amount)

Sewer Districts

SM019 Mamaroneck WRRF Emergency Power Upgrades	\$1,500,000
SM021 Mamaroneck WRRF Blower Replacement	\$1,500,000
SM025 Mamaroneck WRRF Architectural Rehabilitation	\$1,500,000
SM026 Mamaroneck WRRF Secondary Treatment Rehabilitation	\$3,500,000

2026 Requests (Gross Amount)

Sewer Districts

SNR20 Mamaroneck/New Rochelle Twin Sludge Forcemain	\$800,000
SNR21 New Rochelle WRRF Boiler and Grit Systems Replacement	\$1,500,000
SNR27 Flint Avenue Pumping Station Forcemain Replacement	\$3,180,000
SNR95 Pumping Station Rehabilitation Program - New Rochelle SSD	\$8,000,000

2026 Requests (Gross Amount)

Sewer Districts

<p>SPS07 Repair and Upgrade of Alexander Street Influent Structure</p>	<p>\$2,000,000</p>
<p>SPS16 NYPS Combined Sewer Overflow and Electrical Rehabilitation</p>	<p>\$3,000,000</p>
<p>SPS18 South Yonkers Trunk Sewer System Reconstruction</p>	<p>\$1,000,000</p>
<p>SNY95 Pumping Station Rehabilitation Program – North Yonkers SSD</p>	<p>\$1,200,000</p>

2026 Requests (Gross Amount)

Sewer Districts

SOS08 Ossining WRRF Structural Rehabilitation

\$5,000,000



2026 Requests (Gross Amount)

Sewer Districts

SOS19 Ossining Sanitary Sewer District – Kemey’s Cove Force Main Replacement	\$1,500,000
SPK12 Peekskill Wastewater Treatment Plant Mechanical, Sludge Handling Upgrades	\$500,000
SPK23 Peekskill WRRF HVAC Replacement	\$4,240,000

2026 Requests (Gross Amount)

Sewer Districts

SPK24 Peekskill WRRF Plant Wide Systems Upgrades	\$3,000,000
SPK25 Peekskill WRRF Electrical Upgrade	\$2,500,000

2026 Requests (Gross Amount)

Sewer Districts

SPC03 Port Chester Waste Water Treatment Plant
– Electrical System Upgrade

\$4,000,000



2026 Requests (Gross Amount)

Sewer Districts

SPC09 Port Chester Waste Water Treatment Plant
HVAC Systems Upgrade

\$2,000,000



2026 Requests (Gross Amount)

Sewer Districts

SY028 Yonkers Joint Treatment Plant – Evaluation of Plant Electric and Lighting Systems

\$150,000,000



2026 Requests (Gross Amount)

Sewer Districts

SY045 Yonkers Joint WRRF Solids Handling
Upgrades

\$35,000,000



2026 Requests (Gross Amount)

Sewer Districts

SY044 YJ WRRF Primary Sludge Gravity Thickener Piping Replacement and Process Improvements	\$2,000,000
SY047 Yonkers Joint WRRF Primary & Secondary Settling Tank Rehabilitation	\$5,000,000
SY051 Yonkers Joint WRRF Repair or Replacement of FRP Equipment	\$850,000
SY095 Pumping Station Rehabilitation Program – South Yonkers SSD	\$2,000,000

Environmental Facilities

Water Districts

2026 Requests (Gross Amount)

Water Districts

WD311 County Water District #3 – Performance Improvements	\$6,000,000
--	-------------